

# Fire Resisting Products

Uncompromising safety, precision engineering, and unmatched reliability, shielding your valuables from fire's grasp with absolute assurance and ability to withstand fire for 1 hour

# Tested by fire to resist fire



# Fire Resisting Filing Cabinets

Protects vital documents from fire for up to 2 hours



Your bank's past and future are recorded in your paperwork. Secure it with the Fire Resistant Filing Cabinet (FRFC), which protects vital documents for up to two hours during a fire incident. Built with a unique proprietary fire-resistant compound, it provides protection against flames and hot gases. Salient features of the filing cabinet include effortless movement of drawers and secure, ingenious locking. Offering formidable resistance to heat, the Fire Resistant Filing Cabinet is ideal for all types of businesses that rely on extensive paperwork.

## Features



**BIS Certified:** Holds license for 1hr and 2hr of Fire Endurance and Fire Impact as per IS: 14561



Drawer isolation catch for independent use and locking



Can resist fire for 1 hour or 2 hours depending on the model



Press-button release handle with built-in inexpandel on each drawer



Unequalled resistance to heat from fires and hot gases



Unique fire resistant compound can resist more than 1010°C temperature



Safe and ingenious locking mechanism with an emergency latch



Fitted with dual control high precision, 6-lever lock

## Special Features



**Snap-shut Mechanism**  
Minimizes the time taken to lock a safe during crisis situations



**Locking Options**  
6 Lever Dual Control lock, Combination locks, Electronic Number locks and Biometric locks



**Tongue and Groove Construction**  
Prevents the passage of hot gases in to the storage compartment



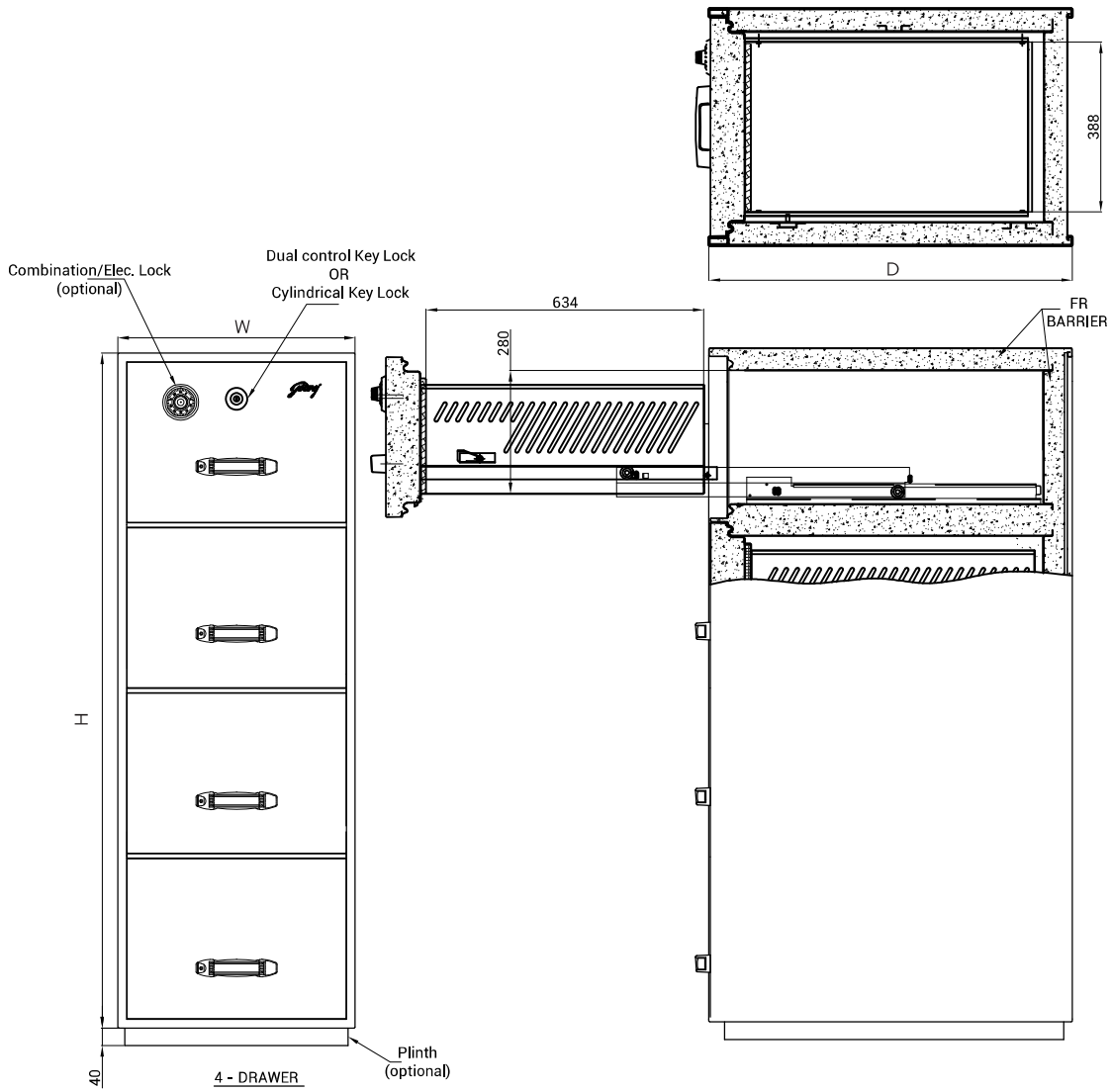
**In-fill Material Structure**  
Shields the cabinet from falling debris



**Inert In-fill Material**  
Retains fire-resisting properties for a prolonged period



**Unique Locking Solution**  
Provides a mechanism to lock select cabinets whilst freely accessing others



## Specifications

Cabinet	1 hr FRFC HxWxD (cm) Overall dimension	Weight (kg)	2HR FRFC FRFC HxWxD (cm) Overall dimension	Weight (kg)
4 Drawer	155.1 x 54.3 x 80.5	440	155.9 x 55.1 x 83.5	480
2 Drawer	78.7 x 54.3 x 80.5	220	79.5 x 55.1 x 83.5	250

### Important:

- Please check the load carrying capacity of the floor from structural engineers, if the FRFC is to be kept on the first floor or above. Place the safe preferably on a beam.
- All dimensions are in cm.
- Tolerance - Weight +10 / -5 % or as per applicable standard, Dimensions - As per applicable standard.

# Fire Resistant Record Cabinets

Made to withstand fire and shield valuables with uncompromising safety.

The story of banking is how well does it manage its storage systems. Godrej Security Solutions' Fire Resistant Record Cabinet makes storage of important documents a lot safer. Built specifically to safeguard against fire hazards, this cabinet provides utmost protection. As fire can destroy paperwork in a just a couple of minutes, storing your mission-critical documents in this cabinet is crucial to business continuity. The cabinet is spacious to store the bulkiest of ledgers and reports and is ideal for all kinds of businesses.



## Features



BIS Certified: Holds license for Fire Endurance and Fire Impact as per IS: 14203



Cost-effective storage capacity



In-situ insulation for reliable fire-resistance



Strong bolt-work mechanism



Attractive finish for an elegant look



Fitted with dual control high precision, 6-lever lock

## Special Features



### Tongue and Groove Construction

Prevents the passage of hot gases into the storage compartment and withstands temperature up to 1010°C



### In-fill Material Structure

Shields cabinet from falling debris



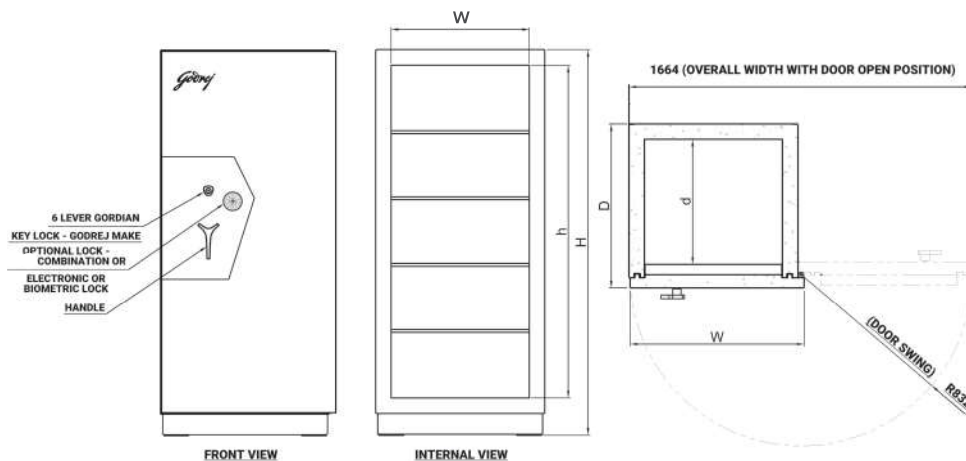
### Inert In-fill Material

Retains fire-resisting properties for a prolonged period



### Locking Options

6 Lever Dual Control lock, Combination locks, Electronic Number locks and Biometric locks



## Specifications

Product	Rating	Internal dimensions H x w x d (cm)	External dimensions H x w x d (cm)	Net weight (kg/lbs)
FRRC	1Hr	160 x 67 x 59.5	183.6 x 83.6 x 78.5	700 / 1632
FRRC	2 Hr	160 x 67 x 59.5	187.5 x 85 x 78.5	800 / 1742

### Important:

- Please check the load carrying capacity of the floor from structural engineers, if the FRRC is to be kept on the first floor or above. Place the safe preferably on a beam.
- All dimensions are in cm.
- Tolerance - Weight +10 / -5 % or as per applicable standard, Dimensions - As per applicable standard.

# Godrej Kompactron occupies 30% less space so your office gets that 30% more space

See how an advanced fire cabinet can optimise  
your office space



### **More operational ease on Godrej swift drive platform**

The Godrej Kompactron enables speedy access and effortless maneuverability when mounted on the Godrej swift drive platform - a complimentary glide-rail assembly with a step-down mechanism for effortless handling and a chain tensioner for a longer lifespan. The durable hi-tracks are precision-engineered to help offices become more efficient and adaptive

### **More compact than any fire cabinet**

The Godrej Kompactron boasts an ultra-compact design that occupies 30% less space than regular fire cabinets. For example, the space occupied by 16 regular fire cabinets can house 20 Godrej Kompactrons with the same usable volume

### **More space and more value for your office**

Each Godrej Kompactron frees up to 30% of a regular fire cabinet's volume in the room. This results in a significant advantage for offices where space is limited and at a premium

### **More storage than regular fire cabinets**

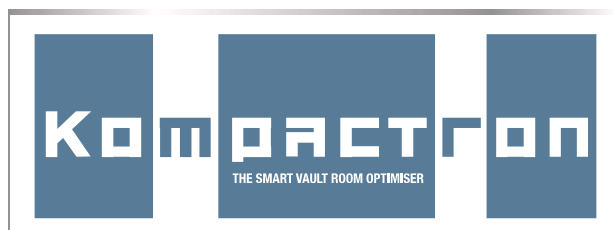
Godrej Kompactron's unique architecture enables more efficient space utilization, resulting in increased storage capacity and, consequently, enhanced protection

### **More protection against fire, hot air, and gases**

Godrej Kompactron features innovative construction with lockable double doors and unique cellular insulation, all of which provide superior protection against fire, hot air, and gases for up to 120 minutes

### **More flexibility and ease of operation**

Godrej Kompactron offers easy-to-operate, easy-to-maneuver flexibility, making offices more efficient, versatile, and adaptable for quick decision-making. Switch to Godrej Kompactron and discover how much more your office can gain



**Optimised Storage with Enhanced Security**

# Ultra compact with superior fire protection and more...



## Features



### BIS Certified

Holds license for Fire Endurance and Fire Impact as per IS: 14203



Cost-effective storage capacity



In-situ insulation for reliable fire-resistance



Strong bolt-work mechanism



Attractive finish for an elegant look



Fitted with dual control high precision, 6-lever lock



### Tongue and Groove Construction

Prevents the passage of hot gases into the storage compartment and withstands temperature up to 1010°C



### Inert In-fill Material

Retains fire-resisting properties for a prolonged period

## Special Features



### In-fill Material Structure

Shields cabinet from falling debris



### Locking Options

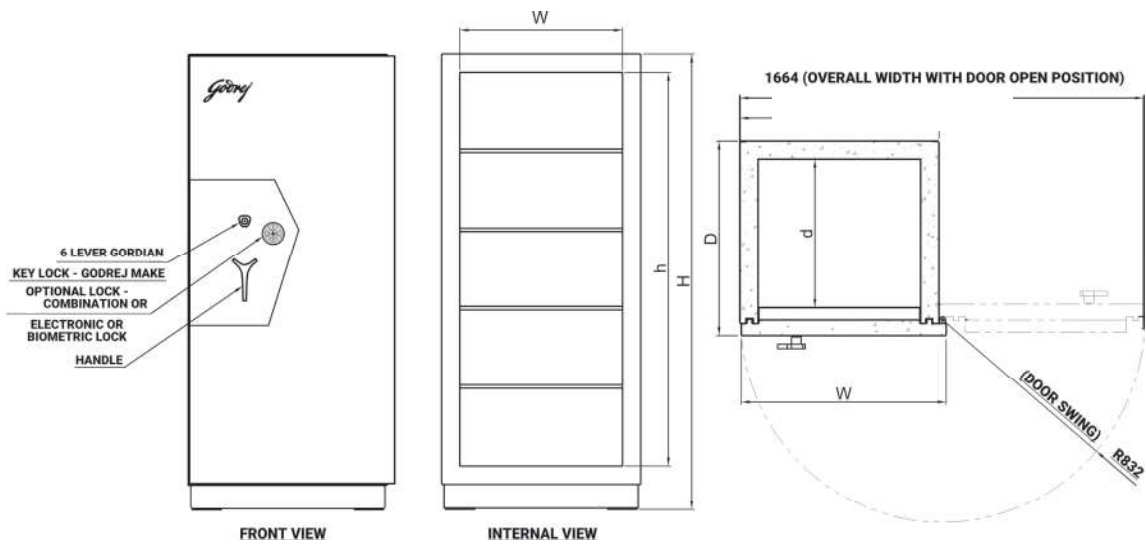
6 Lever Dual Control lock, Combination locks, Electronic Number locks and Biometric locks

# Specifications

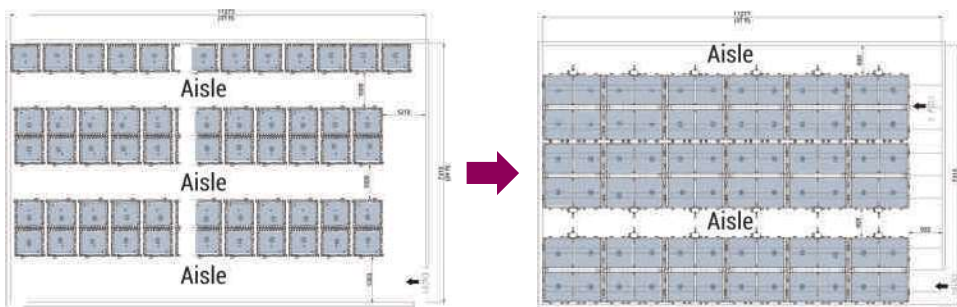
1 Hour	Height (H)	Width (W)	Depth (H)	Net Weight (kg)	Gross Weight (kg)
Outside (cm)	183.6	83.6	78.5	700	725
Inside (cm)	160	67	59.9		

### Important:

- Please check the load carrying capacity of the floor from structural engineers, if the KOMPACTRON FRFC is to be kept on the first floor or above. Place the safe preferably on a beam.
- All dimensions are in cm.
- Tolerance - Weight +10 /-5 % or as per applicable standard, Dimensions - As per applicable standard.



### Comparison between standard fire resistant cabinets and Godrej Kompactron



**Standard Fire Resisting Cabinets**  
Total Storage - 56 units

**Kompactron Total Storage - 72\* units**

\*Indicative savings depending on actual room size.



**Godrej**  
Swift Drive Platform

# FR 1360

Tested by fire to resist fire



Designed to withstand the fiercest blazes, FR1360 safes offer unparalleled protection for your vital papers. Certified and tested by ECB's, their dual key lock, tongue and groove construction, and snap shut mechanism ensure resilience. The powder-coated finish adds durability, while a lockable drawer enhances security. Trust FR1360 to guard your documents with unwavering strength.

## Features



Certified and tested as per ECB'S



Snap-Shut mechanism facilitate to close the door



Fire-resistant



Powder coated finish



2- Key Lock



Lockable drawer



Tounge and Groove construction to prevent hotgases/smoke from seeping in

## Specifications

Model No.	Dimension (cm)		Volume (L)
	External	Internal	
	H x W x D	H x W x D	
FR 1360	155.4 X 68 X 58.7 (cm)	136 X 55 X 35.5 (cm)	265

### Important:

- Please check the load carrying capacity of the floor from structural engineers, if the FR 1360 is to be kept on the first floor or above. Place the safe preferably on a beam.
- All dimensions are in cm.
- Tolerance - Weight +10 /-5 % or as per applicable standard, Dimensions - As per applicable standard.
- FR 1360 is currently available with listing from ECB'S, as per NT Fire 017 standards for 90P

# Dataline-Data Safes

## Avoid data crisis

A well- documented bank is an efficient bank. We live in an era, where a majority part of our valuable documents are preserved in hard drives, floppies, magnetic tapes etc. All these important documents can be used for wrong purposes, hence it is essential to Safeguard it from burglars as well as from detrimental environment conditions.

Godrej Security Solutions presents Dataline Safes, a specially designed range of media safes which offer great protection of your data against pilferage, unauthorised access, humidity, fire, dust, magnetic fields, electrostatics and more.



Designed to withstand the fiercest blazes, FR1360 safes offer unparalleled protection for your vital papers. Certified and tested by ECB's, their dual key lock, tongue and groove construction, and snap shut mechanism ensure resilience. The powder-coated finish adds durability, while a lockable drawer enhances security. Trust FR1360 to guard your documents with unwavering strength.

## Features



In-situ insulation for reliable fire resistance



### Tongue and Groove Construction

Prevents the passage of hot gases in to the storage compartment and withstands temperature up to 1010°C



Strong bolt-work mechanism



### Endures Temperature upto 1000°C

Maintaining internal temperature within 52°C



Fitted with 10 lever cylindrical lock

## Special Features



Attractive finish for an elegant look



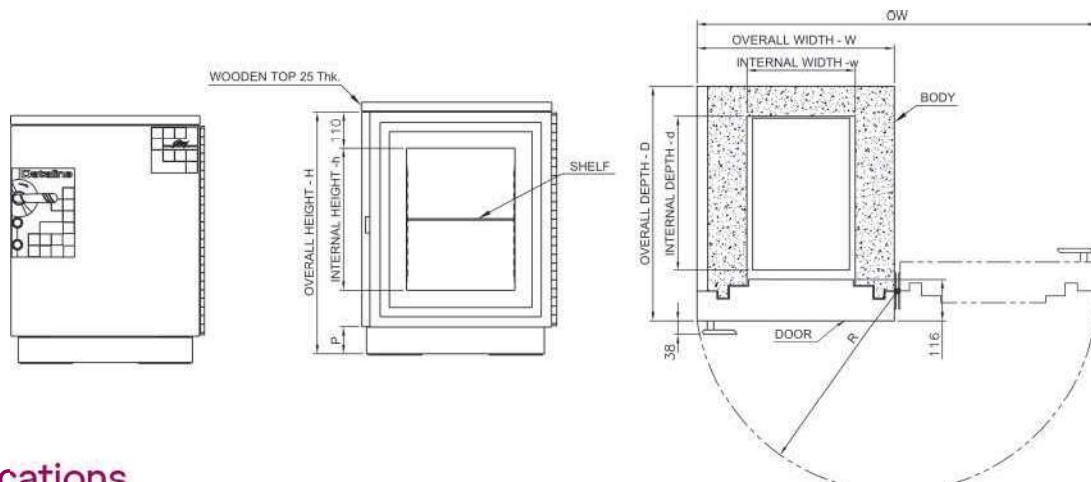
### In-fill Material Structure

Shields the cabinet from floor collapse



### Inert In-fill Material

Retains fire-resisting properties for a prolonged period



## Specifications

Product	External Dimensions			Internal Dimensions H x W x D (cm)	Weight (kg / lbs)	Volume (L / cu ft)
	H x W x D (cm)	OW door at 180° (cm)	OW door at 90° (cm)			
53 L	69.8 x 55.5 x 66.1	86.4	82.5	40 x 30.5 x 43.5	155 / 341	53 / 2

### Important:

- Please check the load carrying capacity of the floor from structural engineers, if the Dataline is to be kept on the first floor or above. Place the safe preferably on a beam.
- All dimensions are in cm.
- Tolerance - Weight +10 / -5 % or as per applicable standard, Dimensions - As per applicable standard.

# Dataline-Media Cabinets

## Optimum data protection

Data is the core of banking. Don't ever lose them. Godrej Security Solutions has created the Dataline M Cabinet for the utmost safety of day to day data stored in hard drives, magnetic tapes and other types of hardware. Protecting them not only from theft, but also detrimental environmental conditions. Specifically designed to protect all types of media, this cabinet offers optimum protection of data against pilferage, unauthorized access, humidity, fire, dust, magnetic fields, electrostatics, and more.



## Features



**Capacity**  
365 litres of economically used space



**Internal Shell**  
A layer of polyurethane material and specially crafted fire-resistant compound



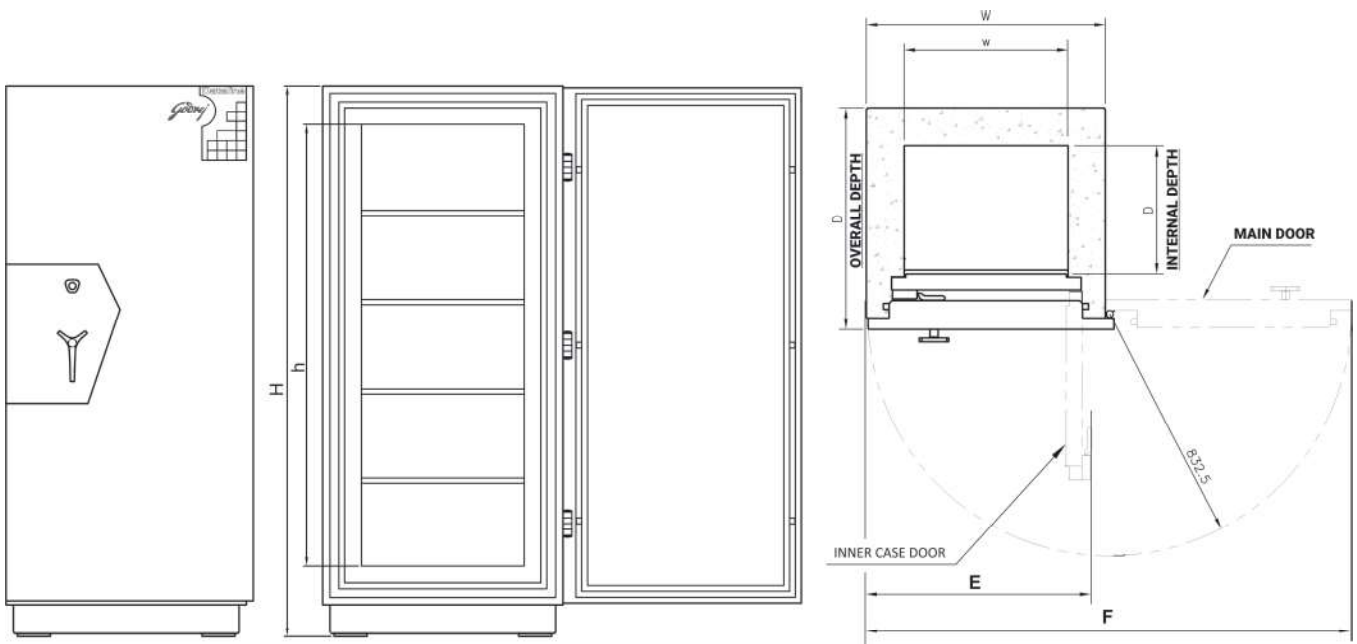
**Structure**  
Cabinet-within-a-cabinet type of construction



**External Shell**  
Double walled, multi-bend and with fire-resistant compounds



**Fitted with Dual Control Lock**  
High precision, 6-lever lock



## Specifications

Product	External Dimensions			Internal Dimensions H x W x D (cm)	Weight (kg / lbs)	Volume (L / cu ft)
	H x W x D (cm)	OW door at 180° (cm)	OW door at 90° (cm)			
<b>Dataline M</b>	183.6 x 83.6 x 78.5	170	154.5	149 x 56.2 x 43.6	700 / 2072	365 / 13

### Important:

- Please check the load carrying capacity of the floor from structural engineers, if the Dataline M is to be kept on the first floor or above. Place the safe preferably on a beam.
- All dimensions are in cm.
- Tolerance – Weight +10 / -5 % or as per applicable standard, Dimensions – As per applicable standard.